






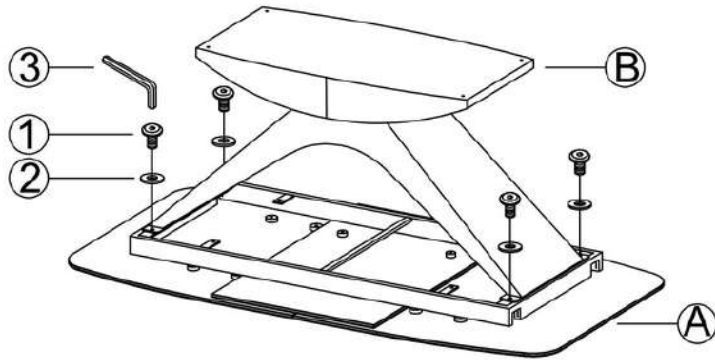
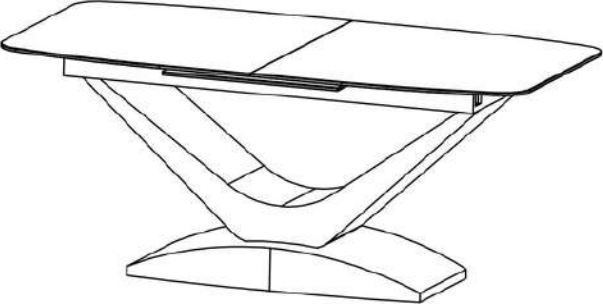
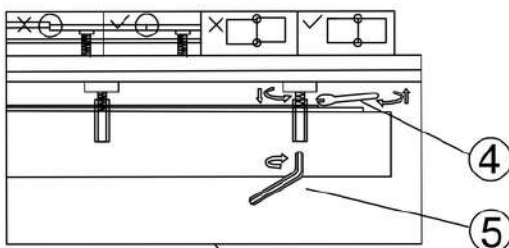
 <p>A x1</p>	 <p>B x1</p>	 <p>M8x16mm ① x4</p>	 <p>Ø20xT2mm ② x4</p>
---	---	---	---	--

 <p>15min</p>	 <p>5# ③ x1</p>	 <p>13# ④ x1</p>	 <p>8# ⑤ x1</p>
--	--	---	--



③ — L-shaped bracket  
① — Screw  
② — Washer  
B — Leg assembly

④ — Control panel bracket  
⑤ — L-shaped bracket

