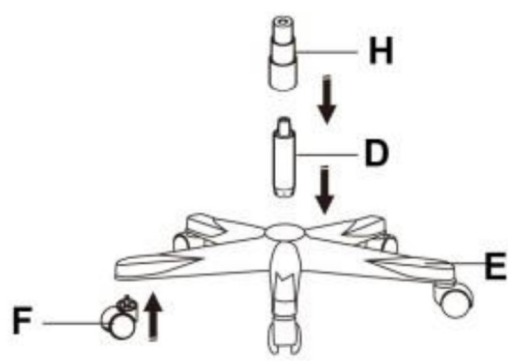
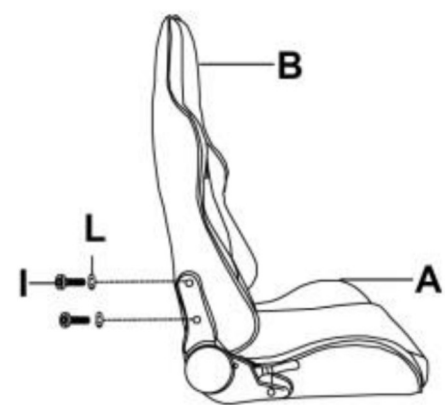


KAJMAN

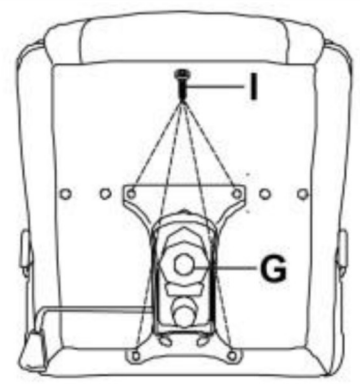
1



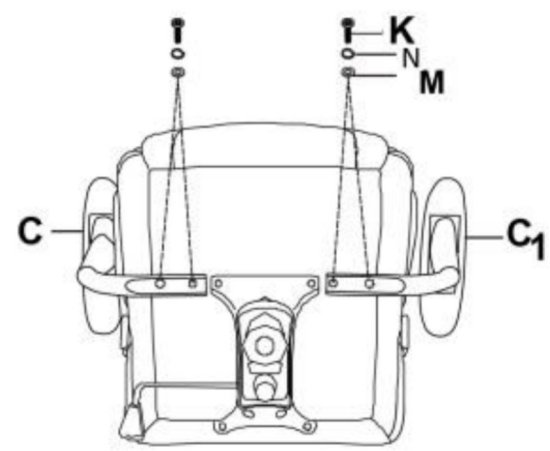
2



3



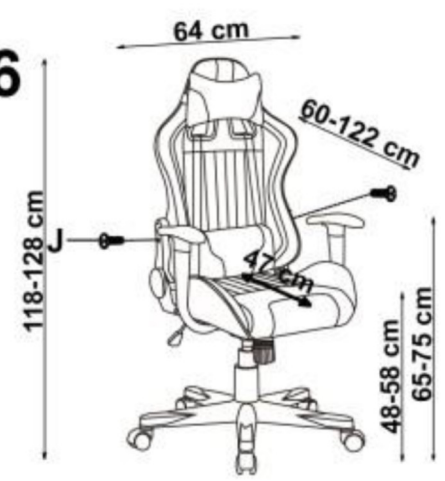
4



5



6



A		1
B		1
C		1
C ₁		1
D		1
E		1
F		5
G		1
H		1
I		8
J		2
K		4
L		4
M		4
N/N ₁		1
P		1
O		1