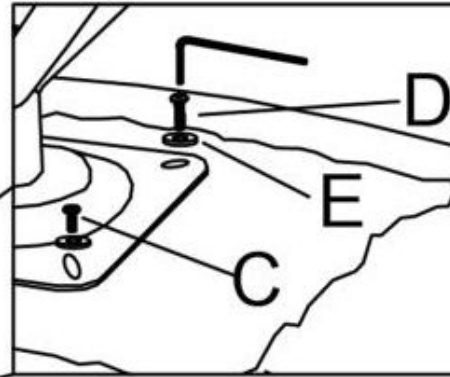
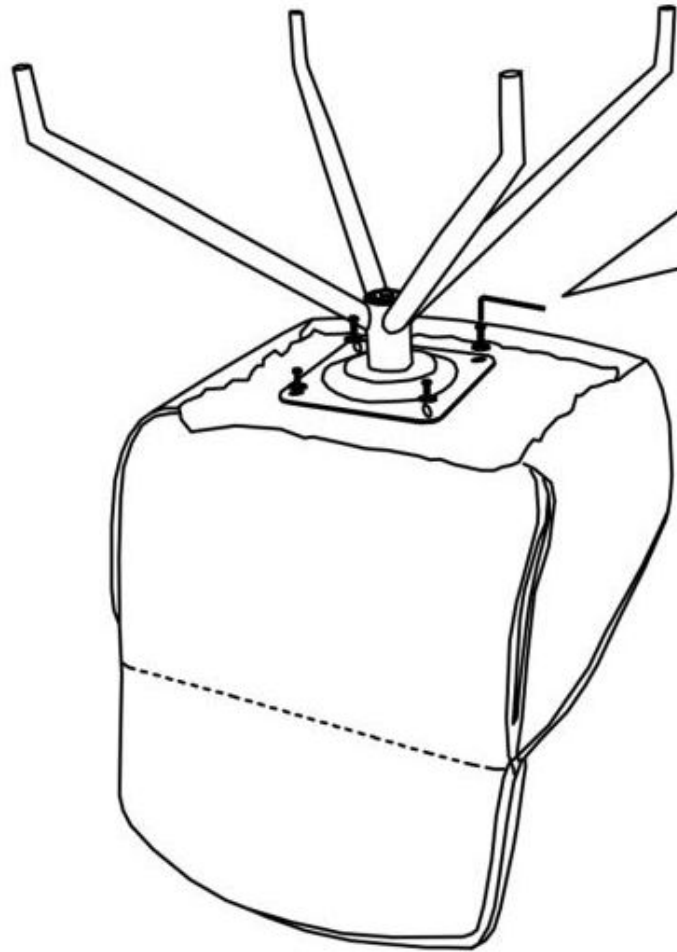








ORMOND



| | | |
|---|--|---|
| A |  | 1 |
| B |  | 1 |
| C |  M6×25mm | 2 |
| D |  M6×30mm | 2 |
| E |  M6 | 4 |

 max.100kg

