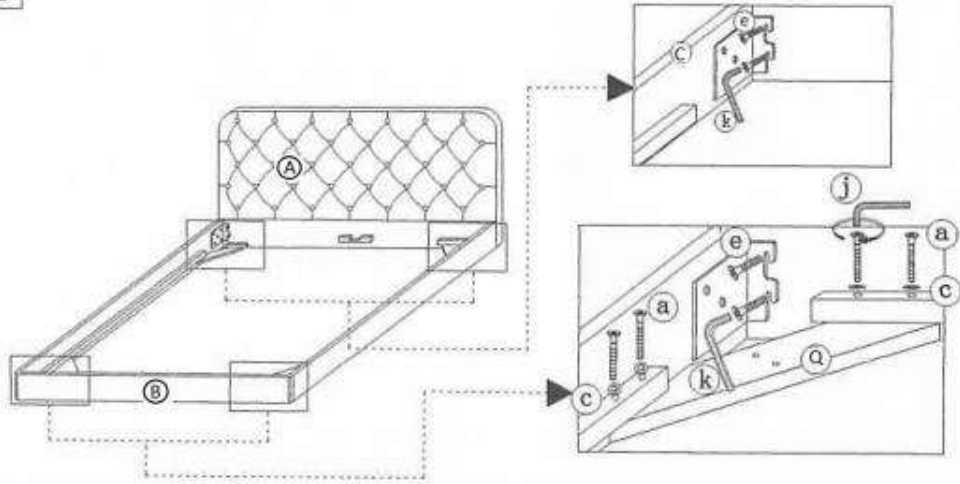


CASSIE

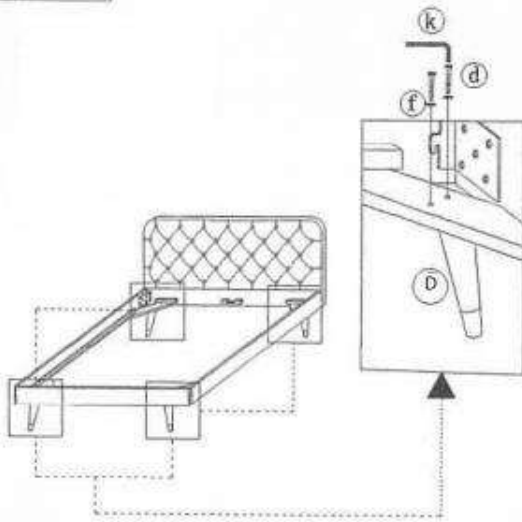
Krok 01

A		X1
B		X1
C		X2
D		X4
E		X5

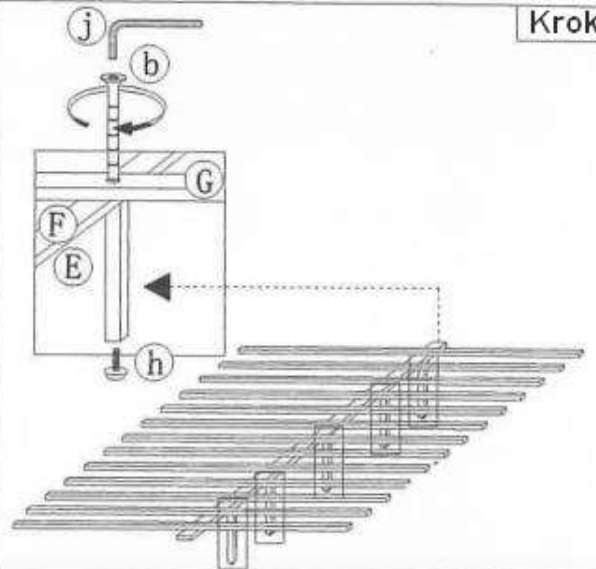


Krok 02

F		X1
G		X13



Krok 03



Krok 04

H		X16
a	JCBC M6 X 50 MM	
I		X5
b	JCBC M6 X 60 MM	
J		X16
c	M6	
K		X8
d	JCBB M8 X 50 MM	
L		X8
e	JCBB M8 X 16 MM	
M		X8
f	Flat Washer M8	
N		X26
g	CSK M4 X 30 MM	
O		X5
h		
P		X2
i	JCBC M6 X 30 MM	
Q		X4
j-k		X1

