

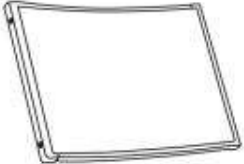
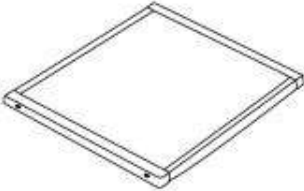




FODEN 2

A x1	B x1	C x1	D x1	E x2	F x12	G x1
					 M6x50	