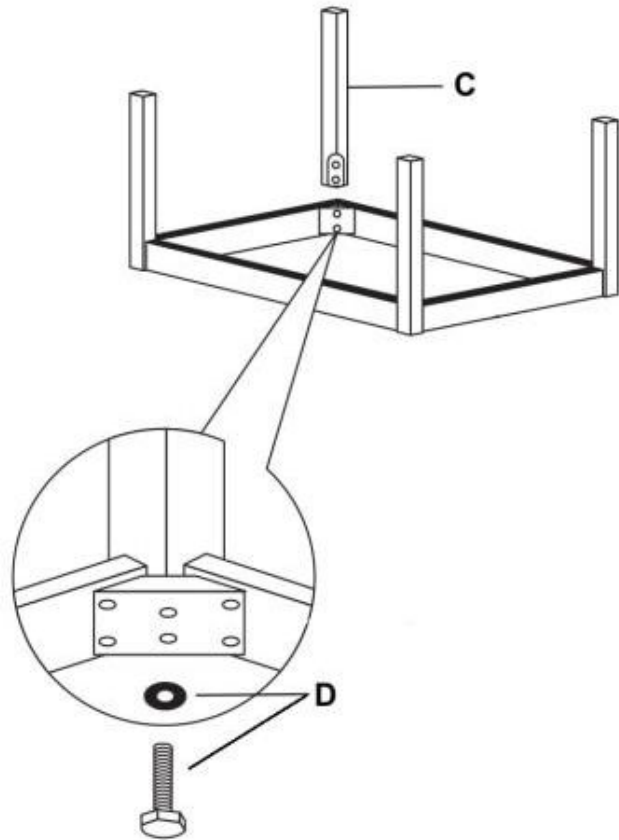
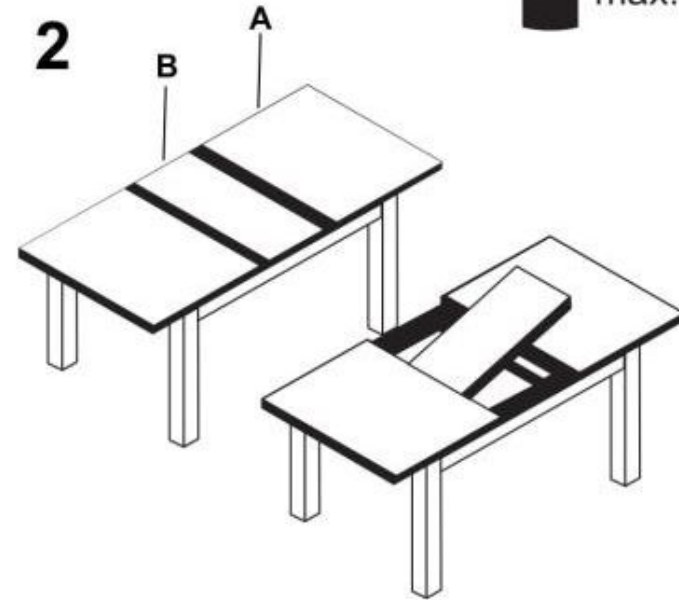


MOZART 160

1



2



max. 40 kg



| | | |
|---|--|---|
| A | | 1 |
| B | | 2 |
| C | | 4 |
| D | | 8 |