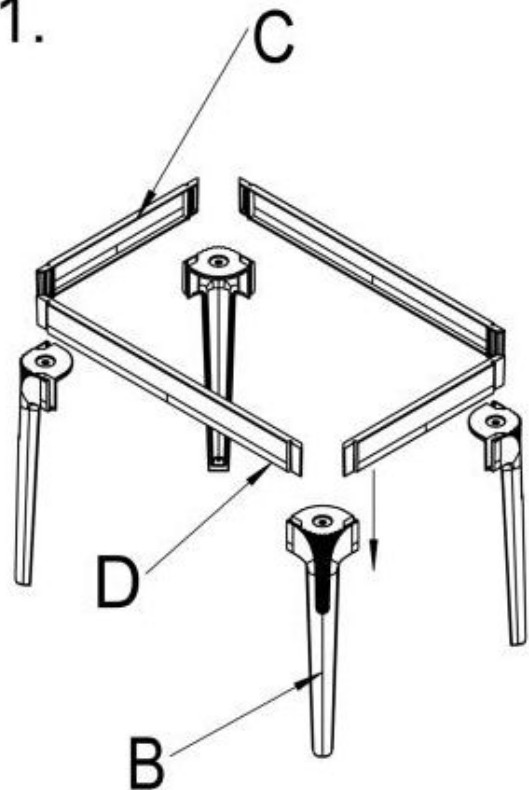
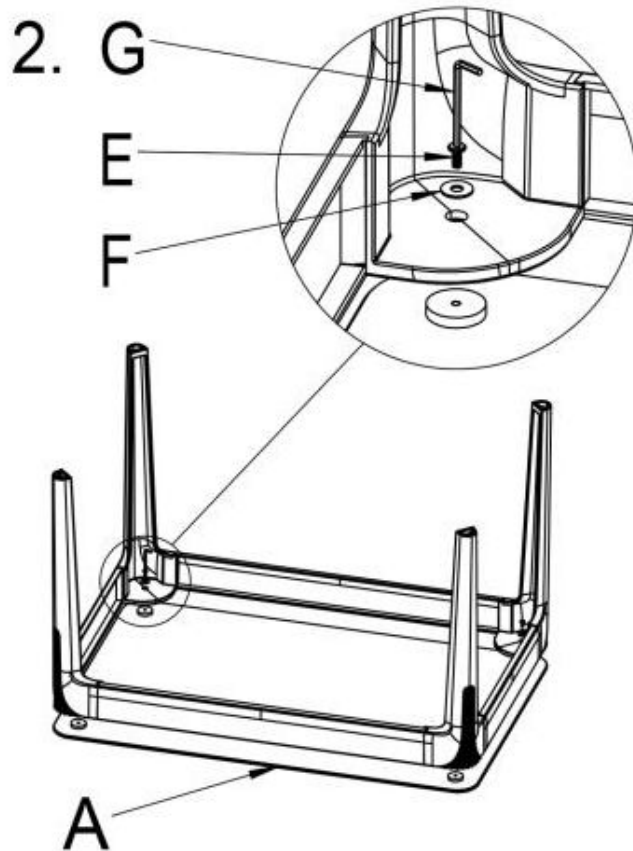


GOMEZ

1.



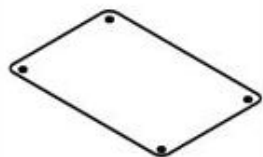
2.



3.



A



x 1

B



x 4

C



x 2

D



x 2

E



M6x14

x 4

F



M8x22

x 4

G



x 1