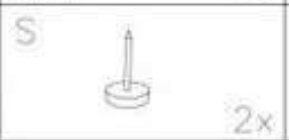
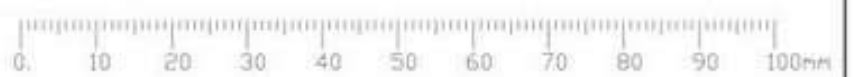
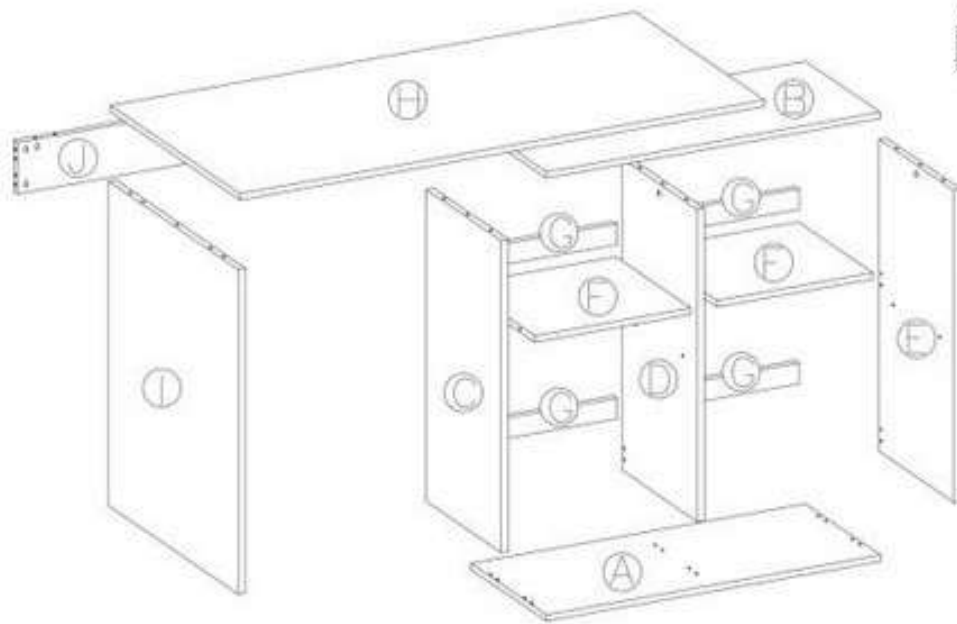
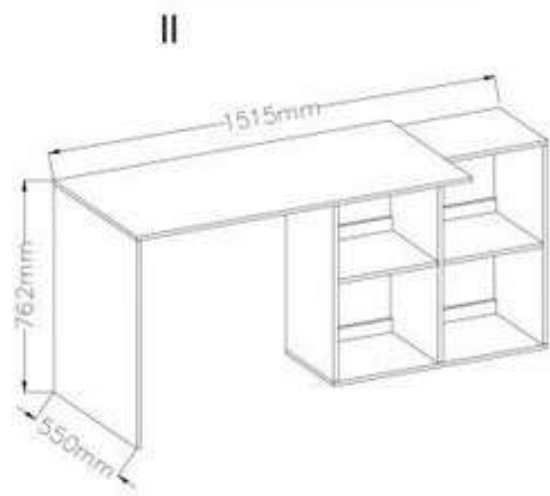
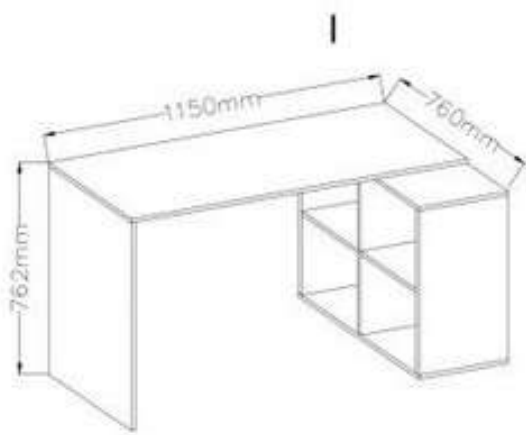
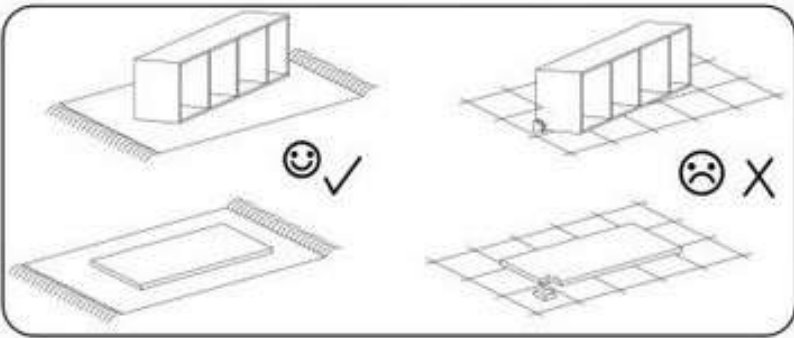





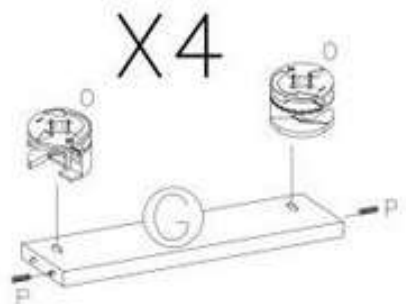
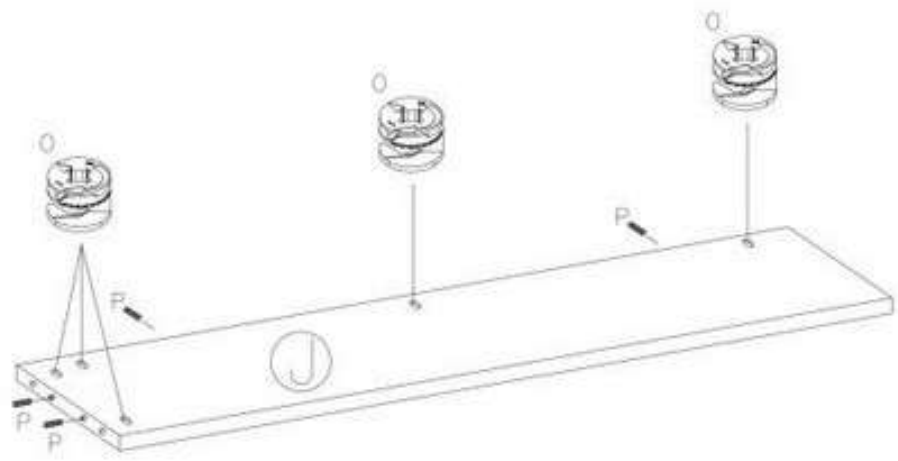
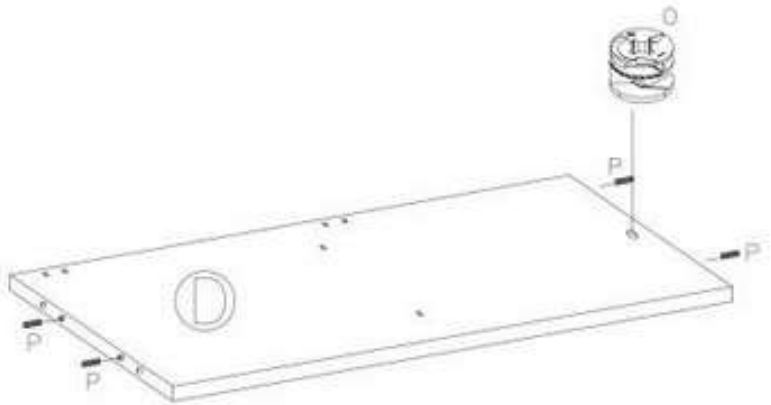
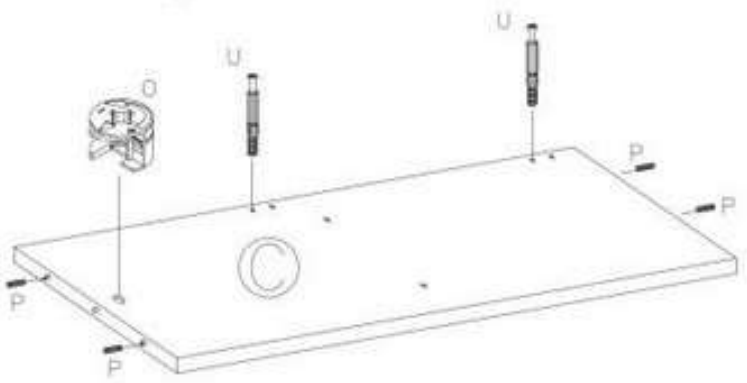
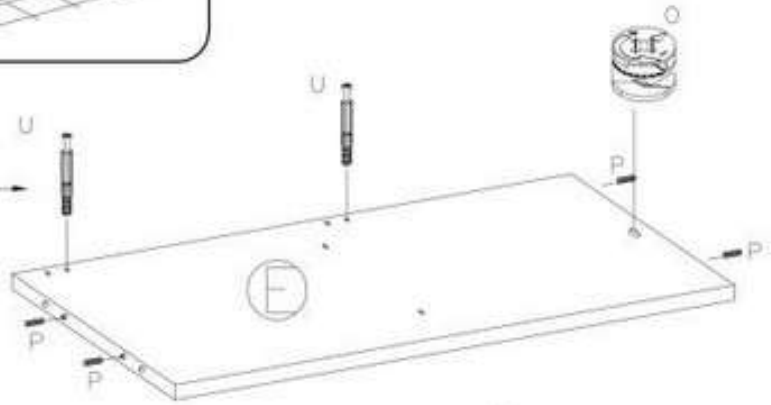
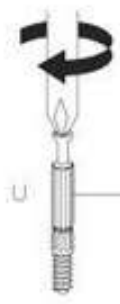
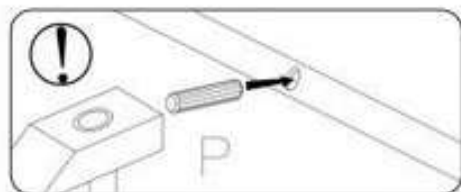
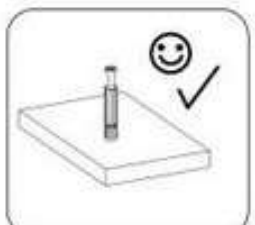
# TITO



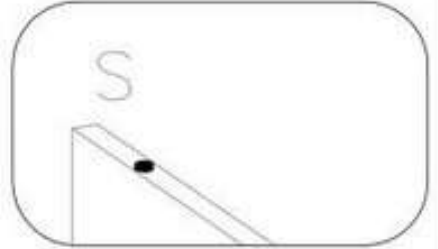
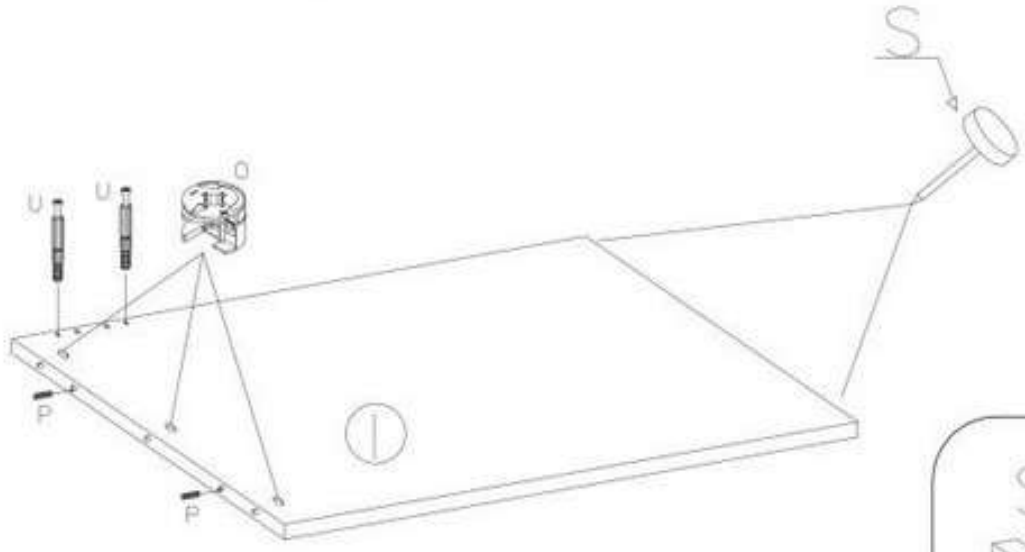
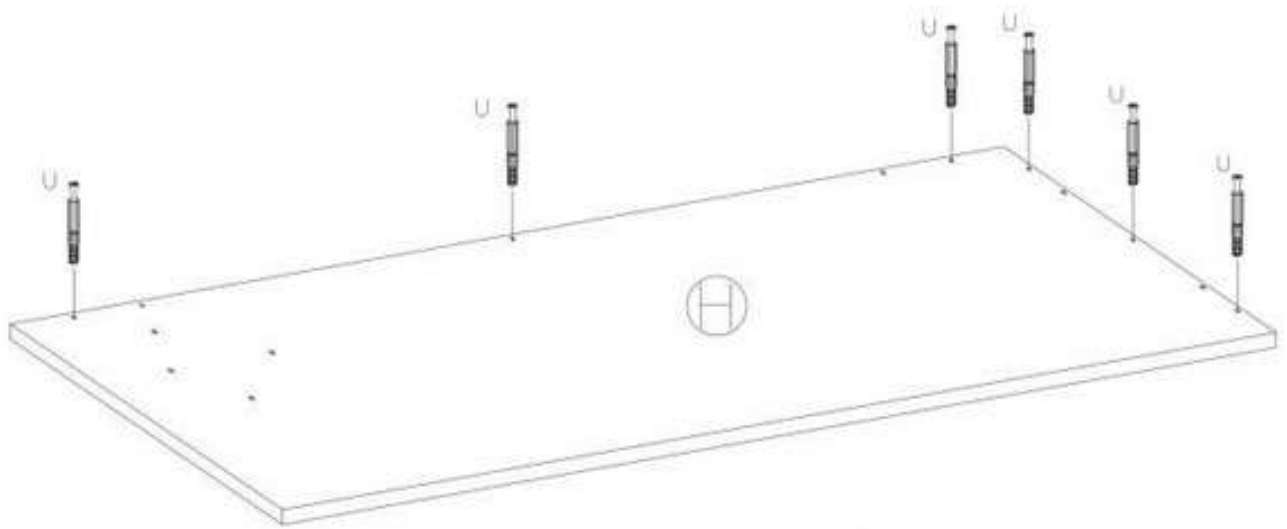
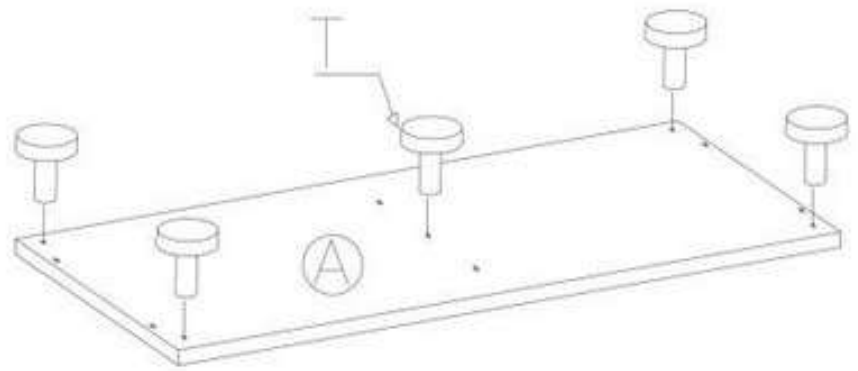
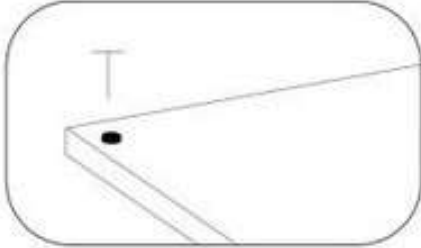
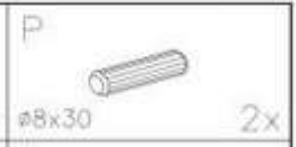
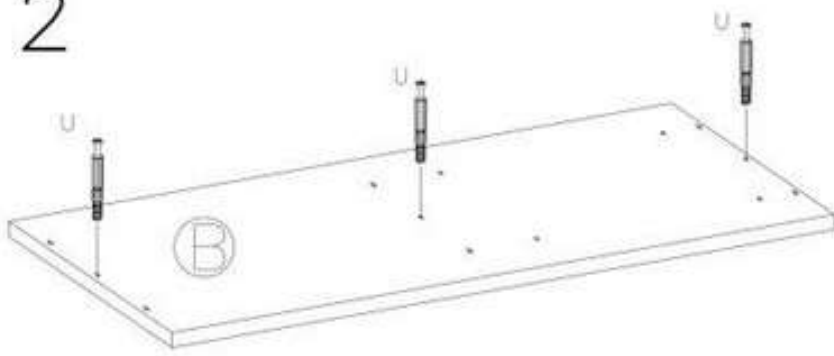
1



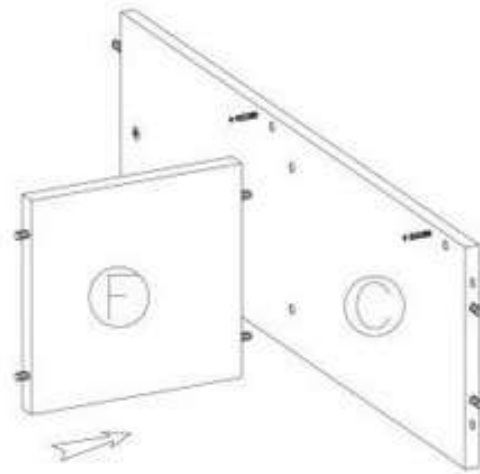
O		16x	P		32x
U		4x			



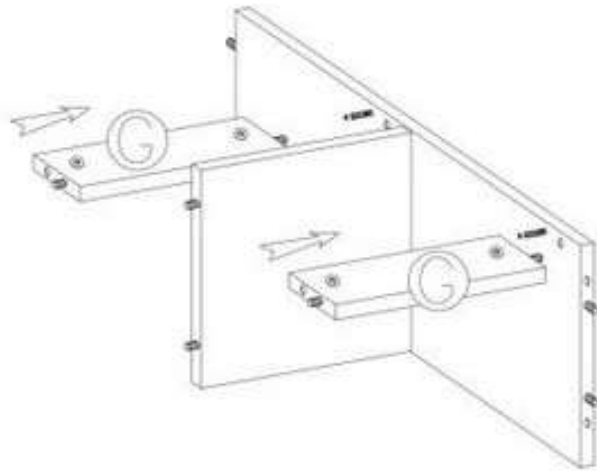
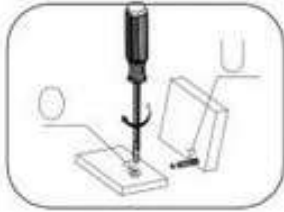
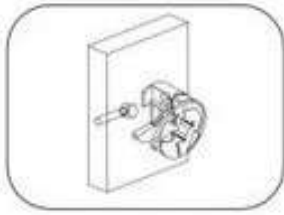
2



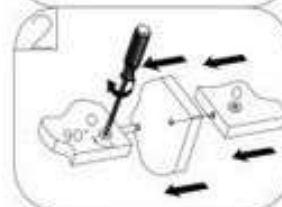
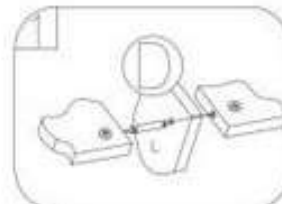
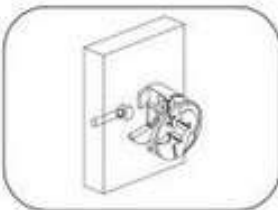
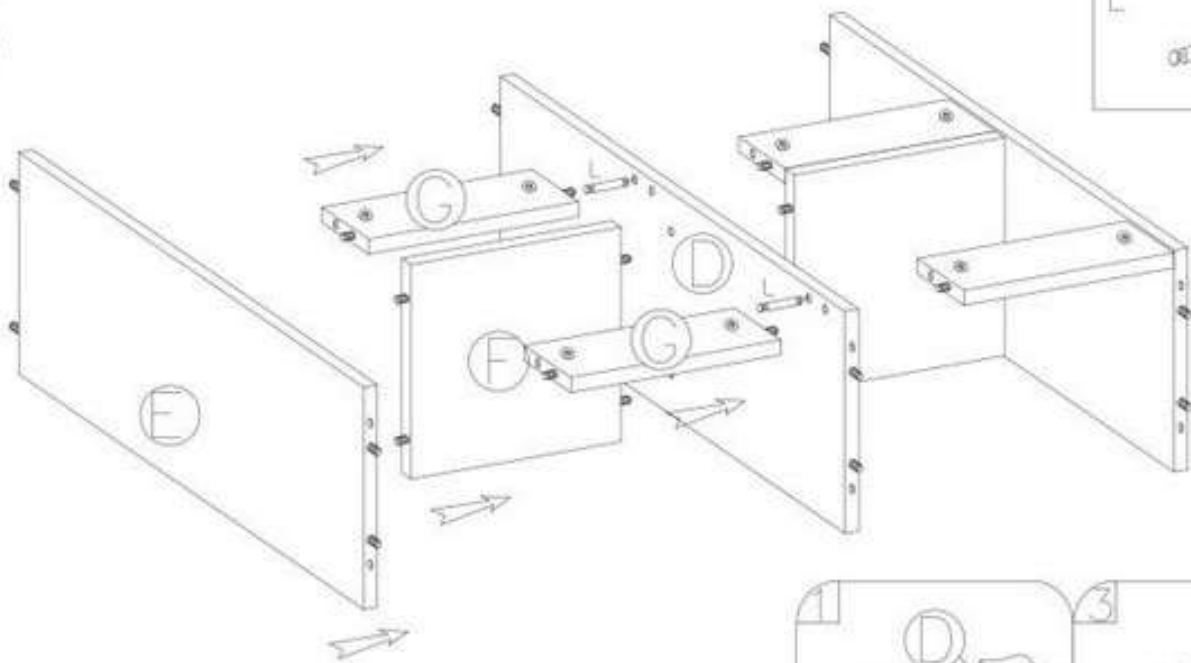
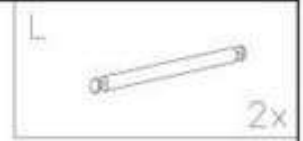
3



4

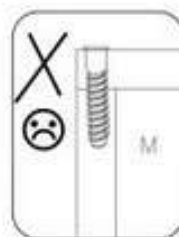
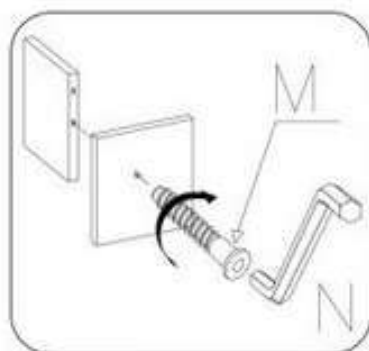
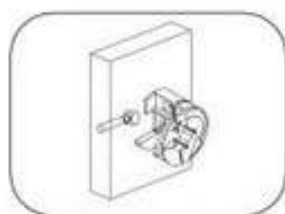


5



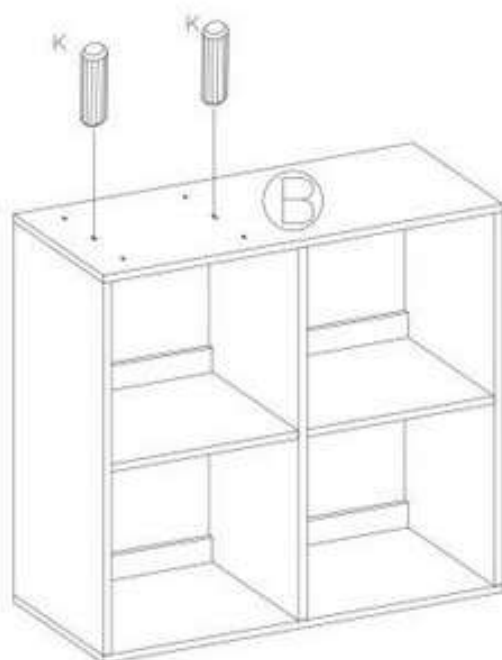
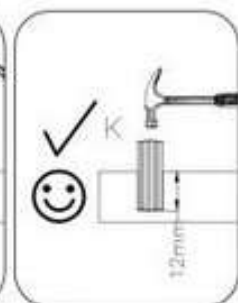
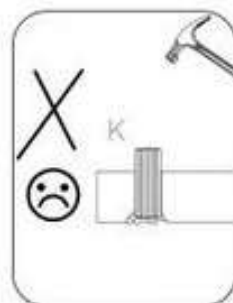
6

M  $\phi 7 \times 50$  6x  
N 4mm 1x

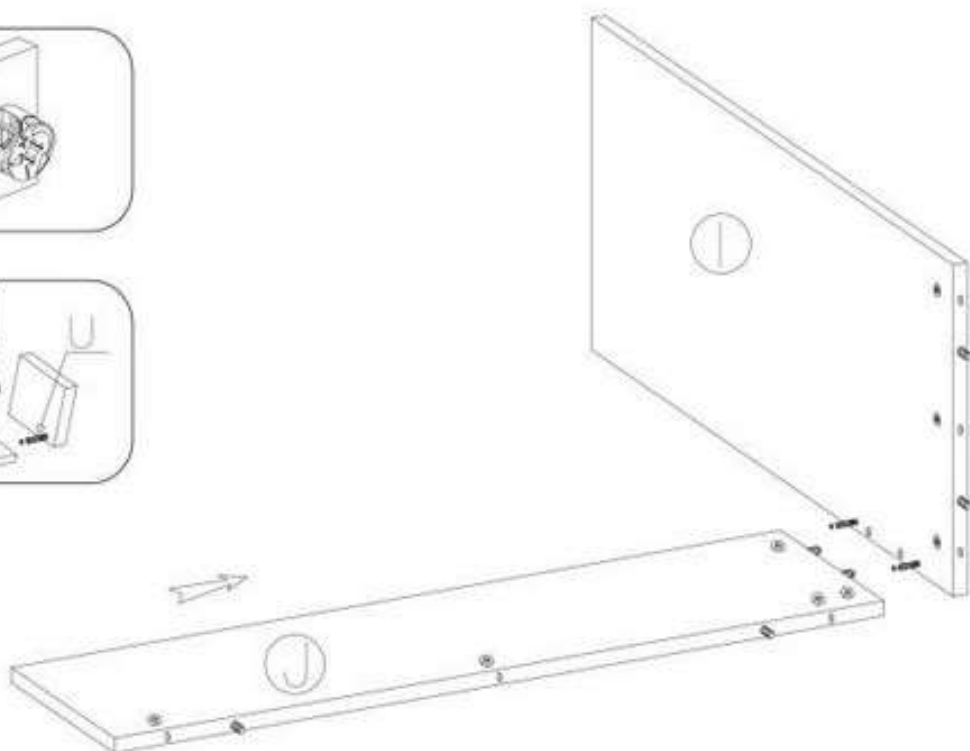
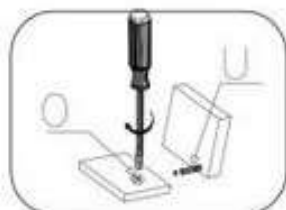
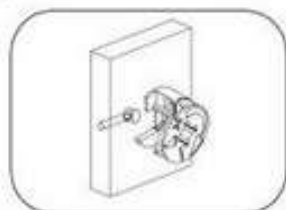


7

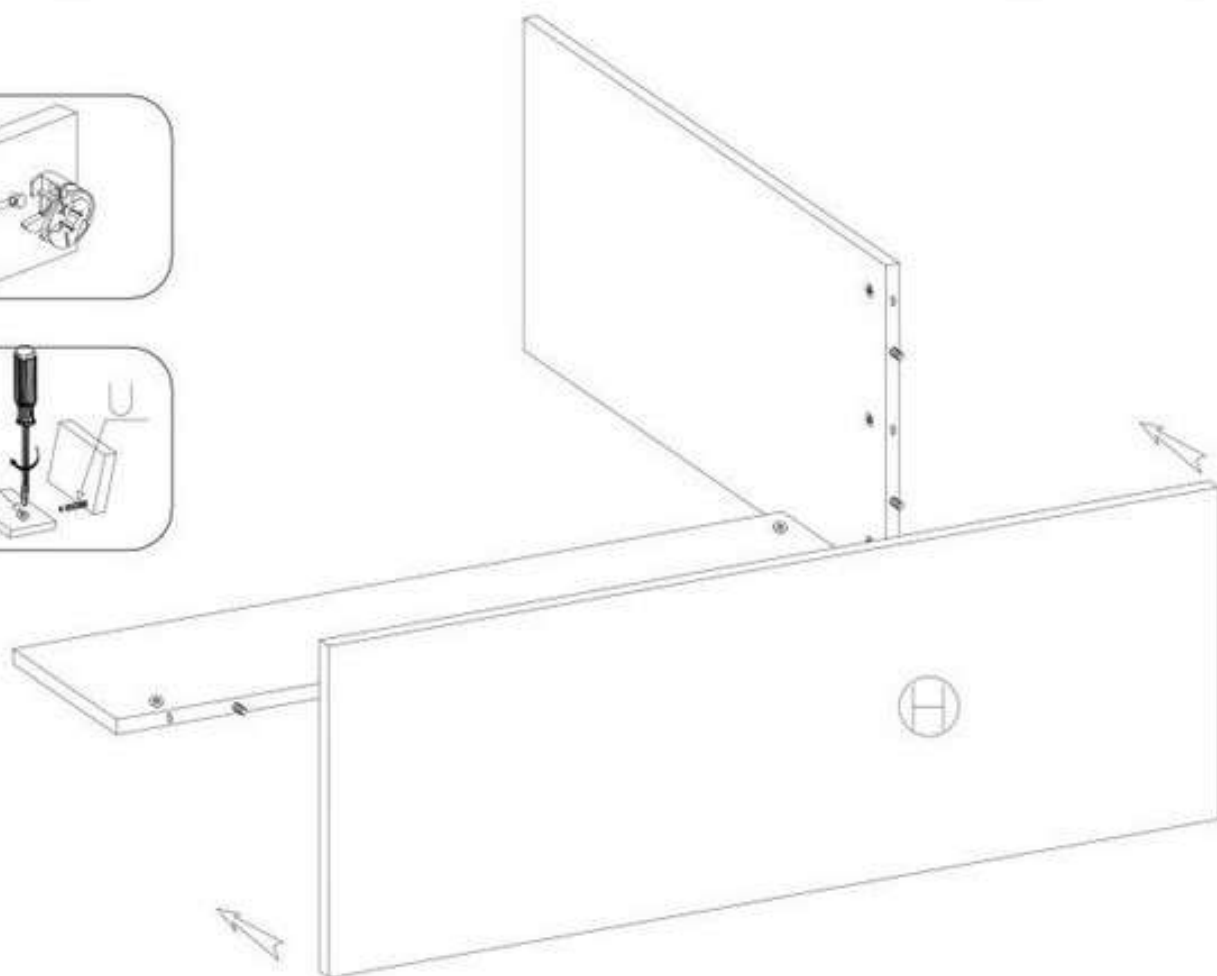
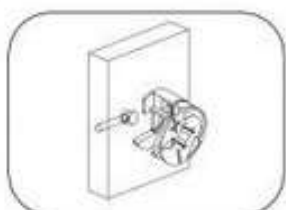
K  $\phi 8 \times 20$  2x



8

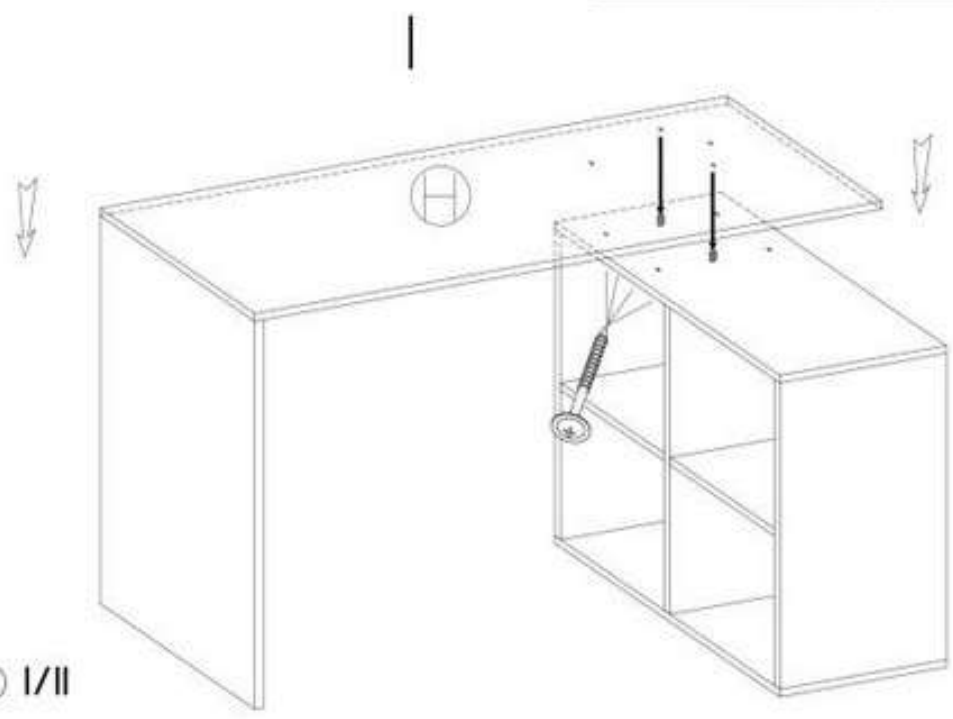


9



10

Q		R	
ø18	19x	4x30	4x



⊕ I/II

