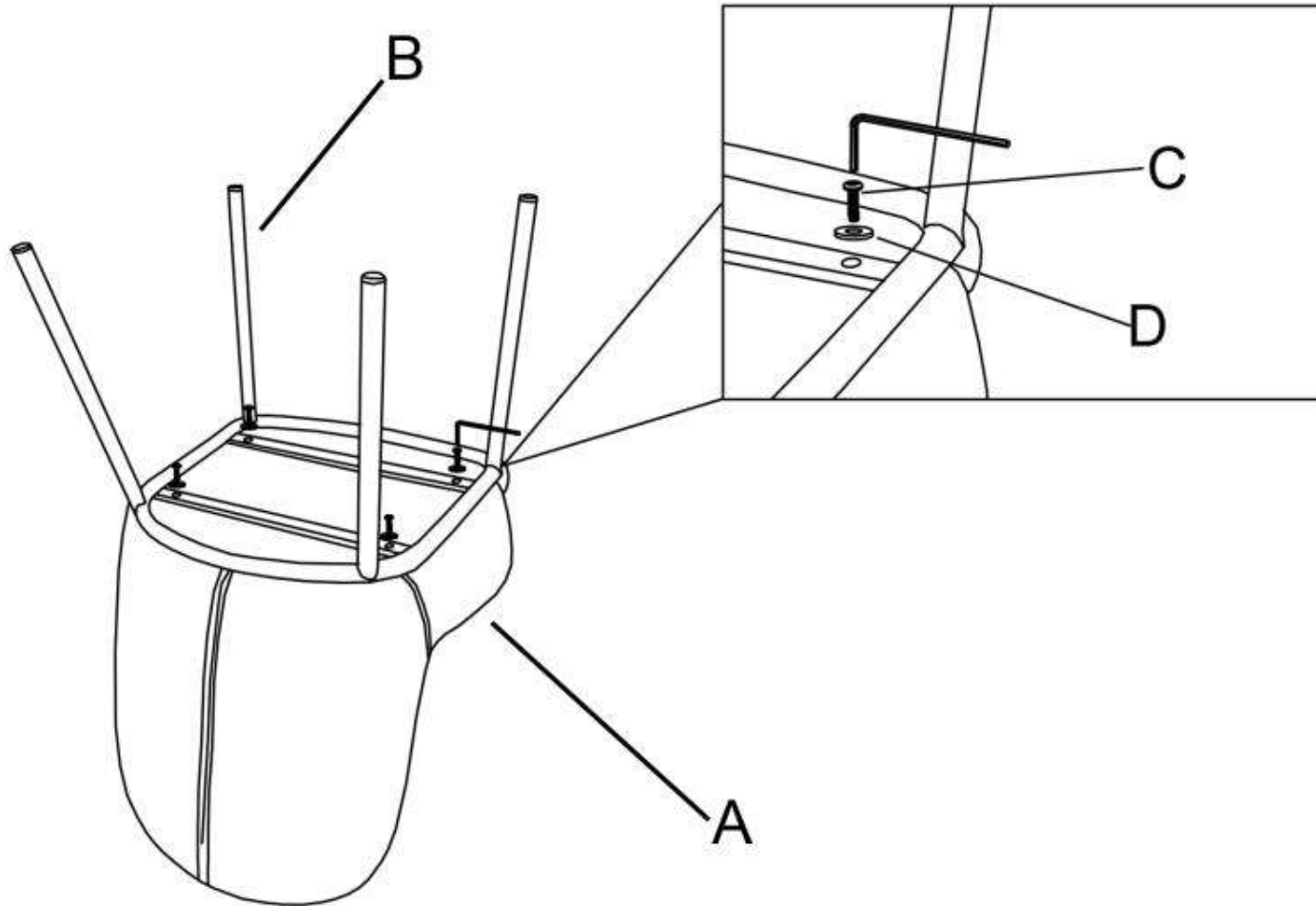






K-481



| | | |
|---|--|---|
| A |  | 1 |
| B |  | 1 |
| C |  M6xmm | 4 |
| D |  M6 | 4 |

