
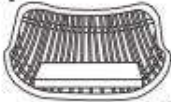







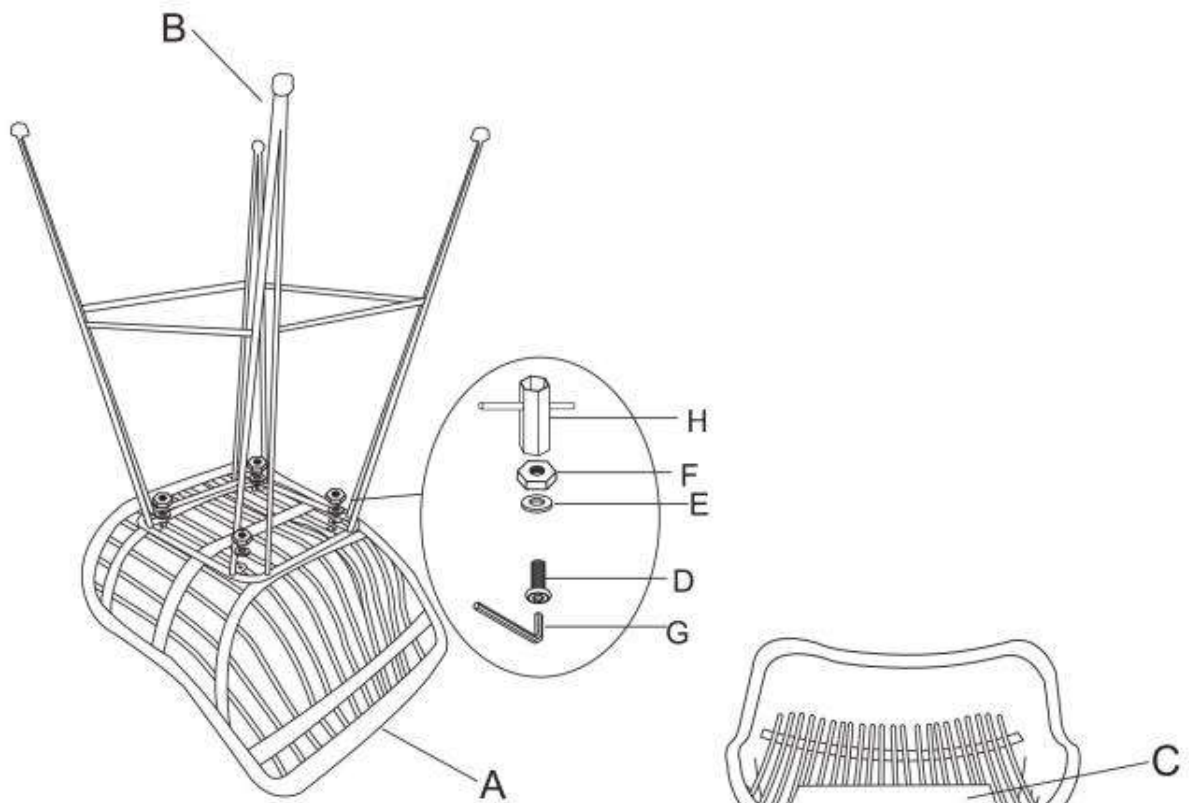


H-105

	A  1	B  1	C  1
	D  M6*20mm 4	E  M6*20mm 4	F 
	G  1	H  1	



 max. 100 kg

