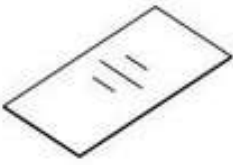
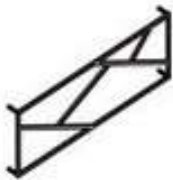






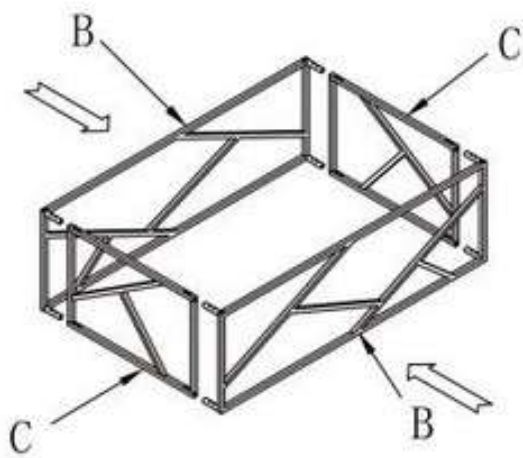


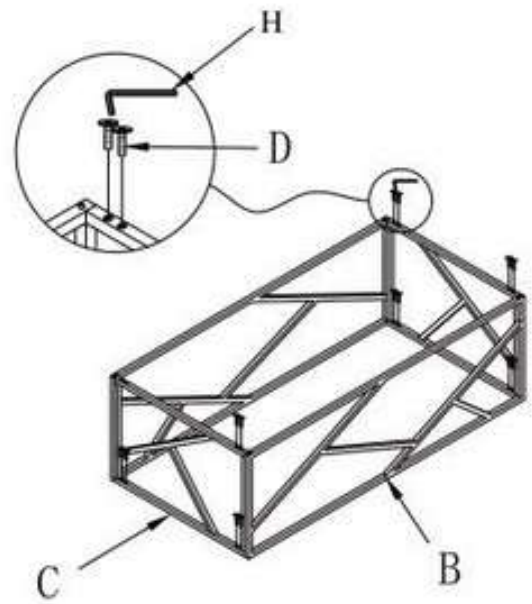
# UNIVERSE II

A-1×	B-2×	C-2×	D-1×	E-4×	F-6×	G-1×	H-1×
			 M6x10 mm	 M6x10 mm			

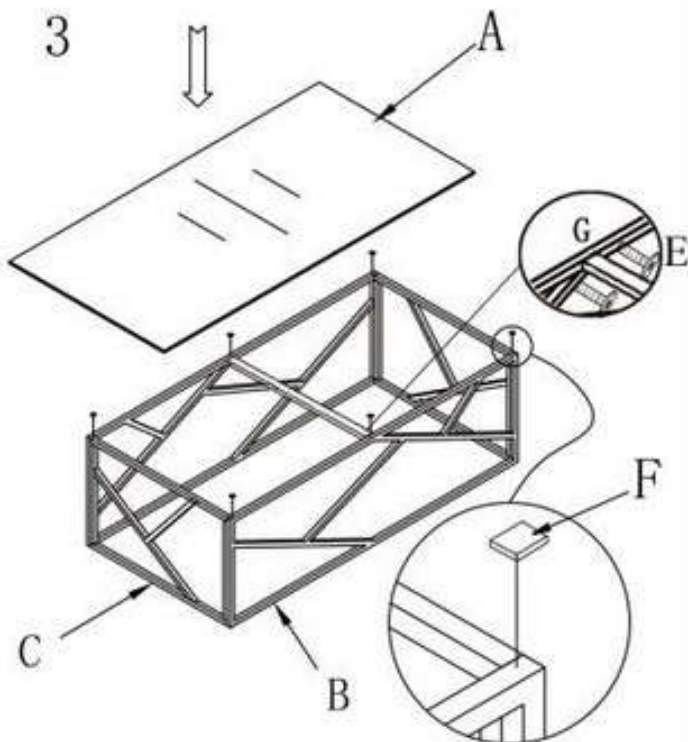
1



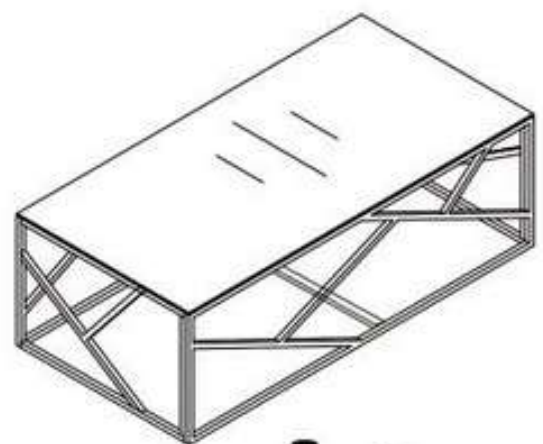
2




3



4



 max. 30 kg