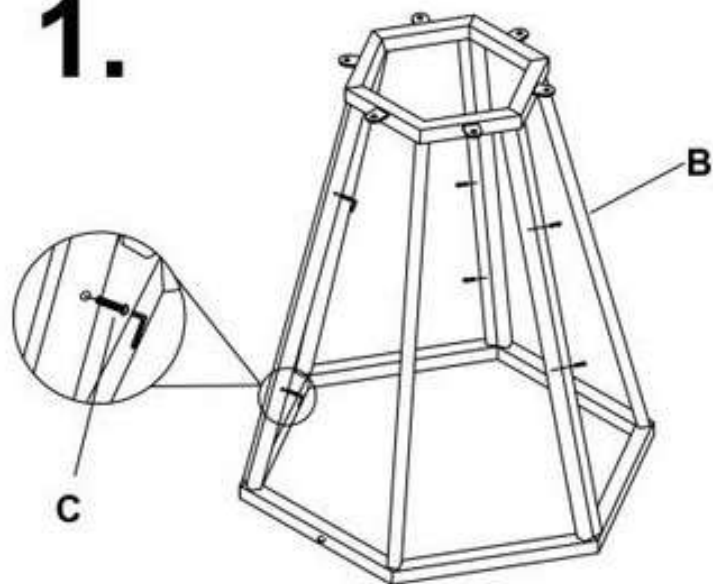
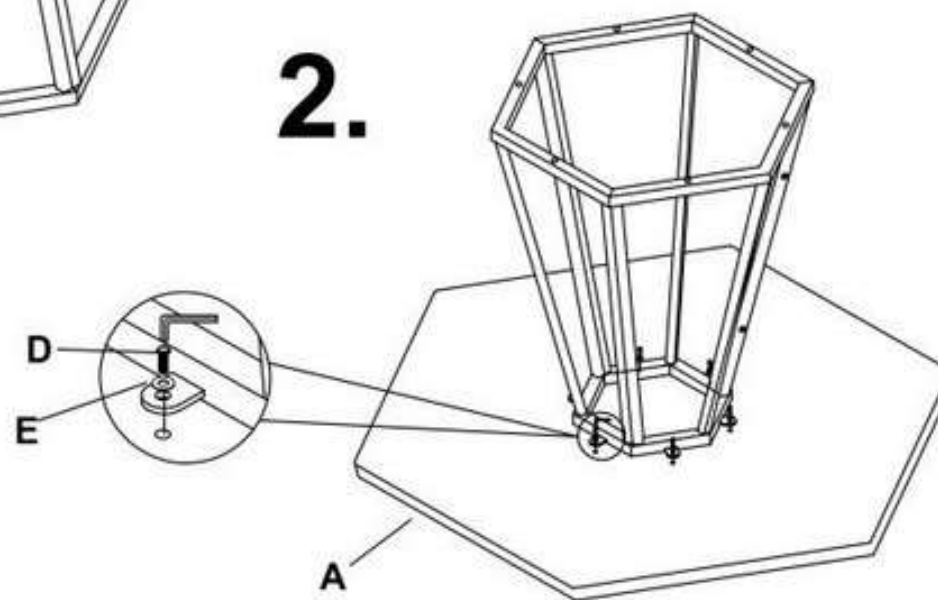







HERMAN


1.



2.



| | | |
|---|---|---|
| A |  | 1 |
| B |  | 3 |
| C |  M6x16 mm | 6 |
| D |  M6x30 mm | 6 |
| E |  | 6 |

 max. 30 kg