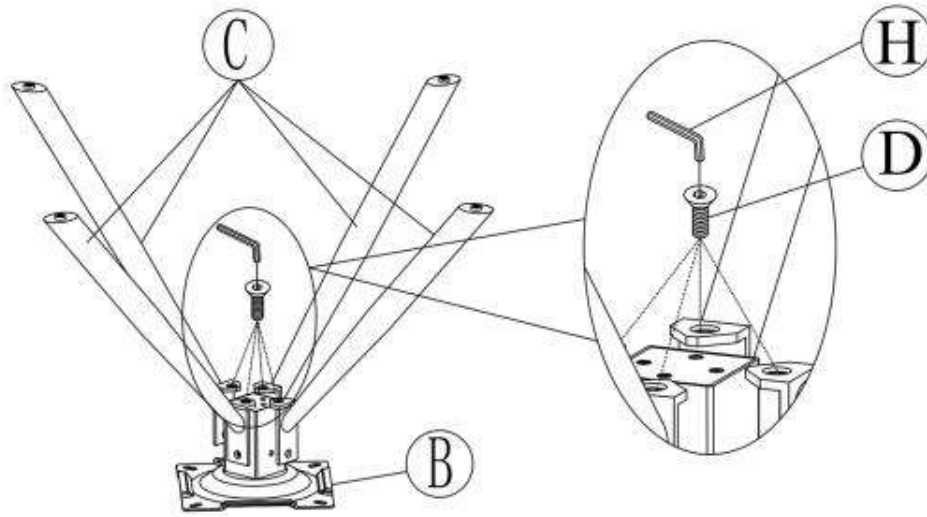
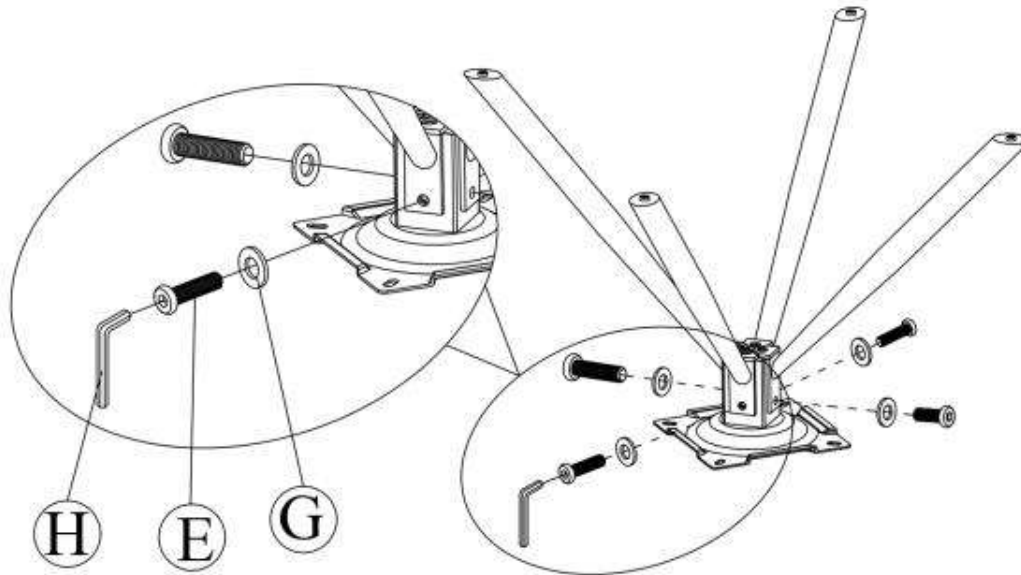


1



2

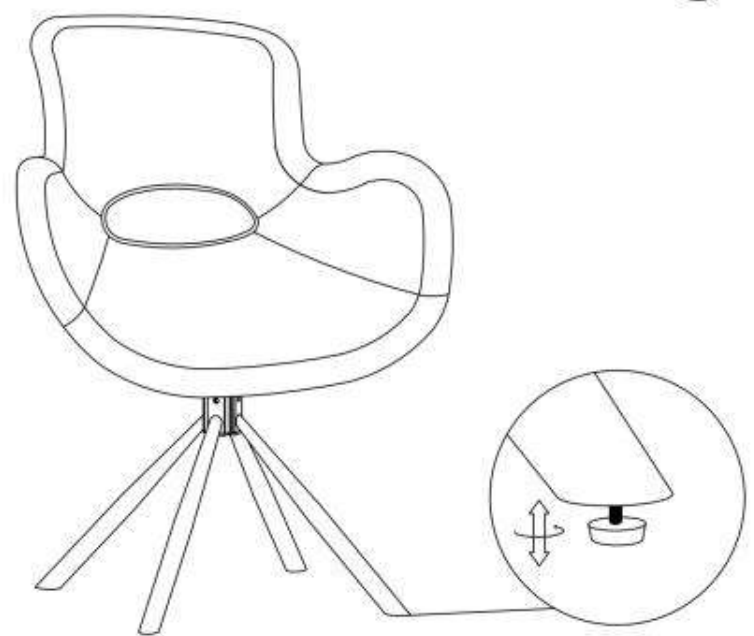
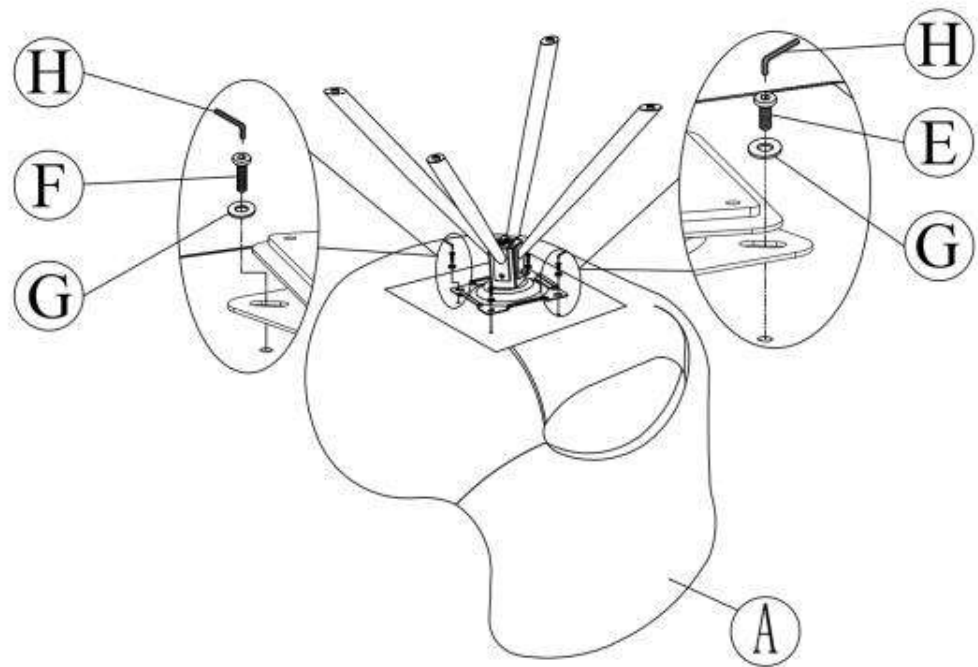



A		1
B		1
C		4
D	 M6 × 12MM	4
E	 M6 × 15MM	6
F	 M6 × 30MM	2
G	 φ 16/*φ 6mm	8
H	 4mm	1

v. 1

1/2

3



 max. 120kg