

# BERGEN



x1



M6\*25mm x2



x1



M6\*20mm x1



x1



M6\*30mm x4



x1



M5\*20mm x4

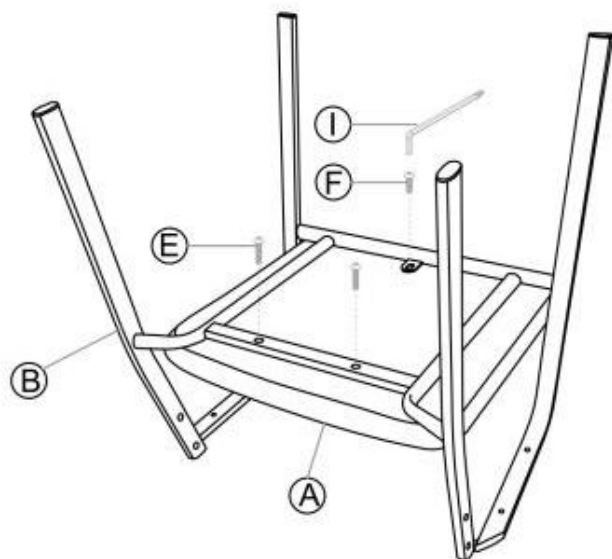


x1

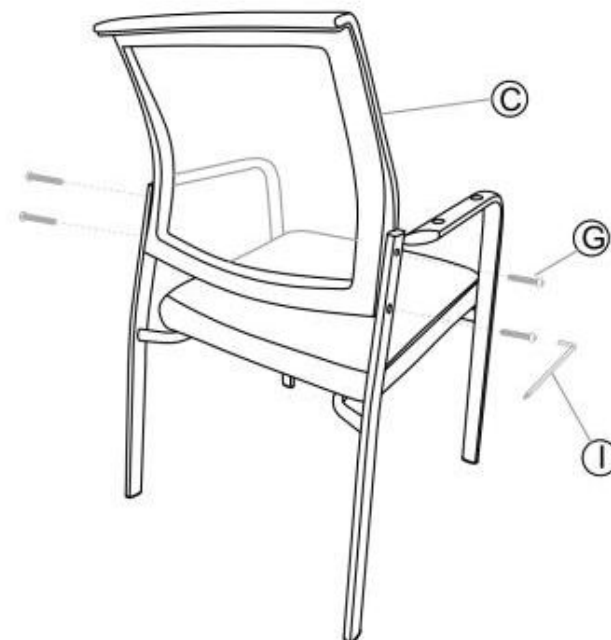


x1

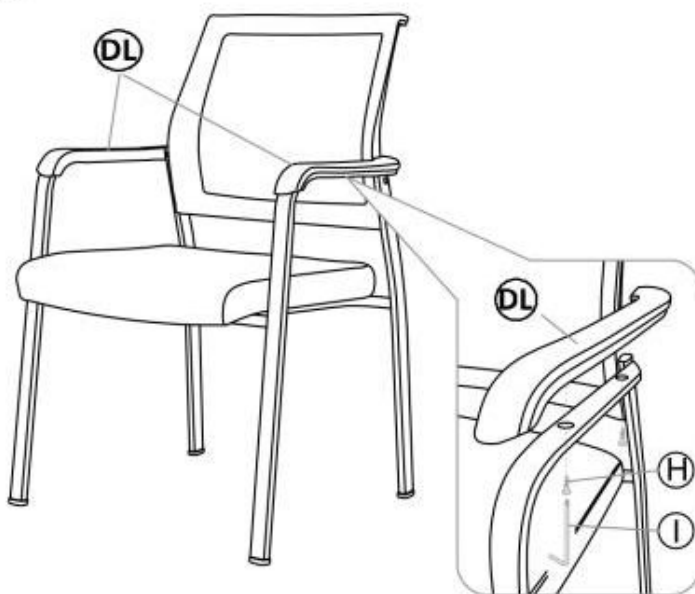
1



2



3



4

